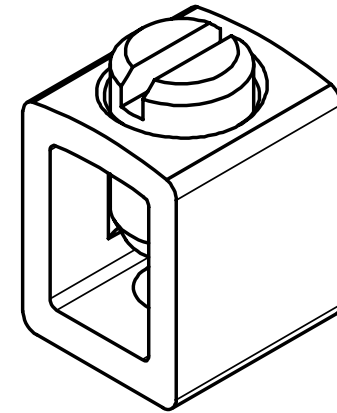
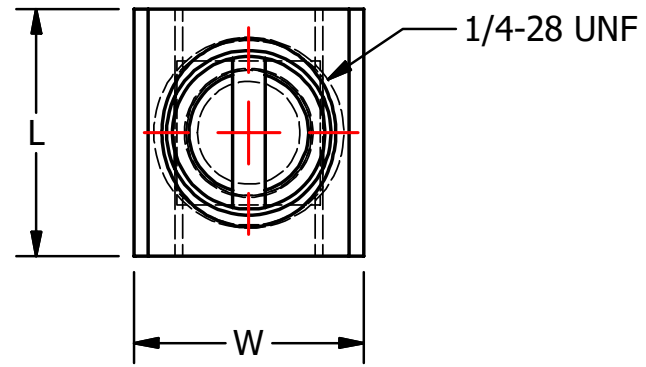
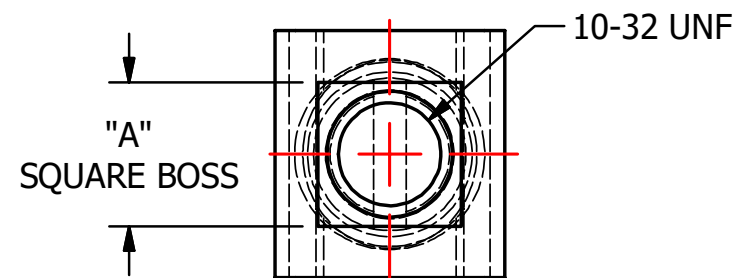
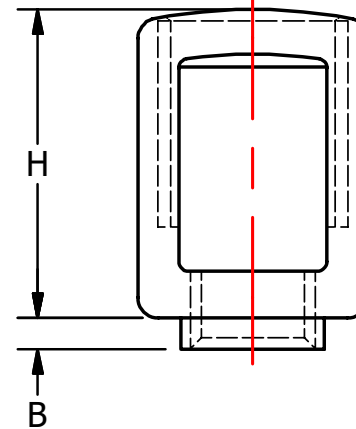
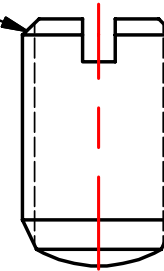


S.NO	CATALOG NUMBER	L	W	H	A	B	CONDUCTOR SIZE	CONDUCTOR MATERIAL	SCREW SIZE
1	C-54-S	.38 [10]	.35 [9]	.47 [12]	.22 [6]	.05 [1]	6 To 14 AWG	COPPER	1/4 - 28
2	C-58-S	.46 [12]	.46 [12]	.52 [13]	.23 [6]	.04 [1]	4 TO 14 AWG	COPPER	5/16 - 24



SCREWS ARE SUPPLIED WITH CONNECTOR AND COMES FULLY ASSEMBLED.



MATERIAL: COPPER  
FINISH: TIN PLATE

					TO ORDER CMC PRODUCTS CALL 1-513-860-4455	DRAWN BY: TS 07-16-19	NAME OF PART: COLLAR ASSEMBLY	CAT. NO.: SEE TABLE
					FOR PRODUCT INFO: <a href="http://www.cmclugs.com">http://www.cmclugs.com</a>	CHECKED BY:	DWG NO: C00497216-S (CHARTED)	A
A	NEW DRAWING CREATED		07-16-19	TS		DRAWING NOT TO SCALE		SHEET NO: 1 OF 1
REV.	DESCRIPTION	ECN	DATE	INIT.				

THIS INFORMATION IS PROPRIETARY TO CONNECTOR MFG. CO. AND IS NOT TO BE DISCLOSED OUTSIDE OF CONNECTOR MFG. CO. WITHOUT A CONFIDENTIALITY AGREEMENT



**CONNECTOR MANUFACTURING CO.**

HAMILTON, OHIO

